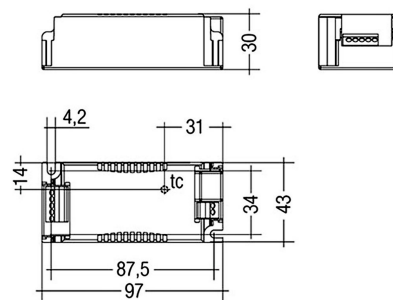


Tridonic TALEXXconverter LC 17W 250–700mA flexC SC EXC



Technical Details:

Input Current:	AC 198 - 264V, 94mA, 50/60Hz, DC 176 - 280V
Power Consumption:	20 W
Driver Manufacturer:	Tridonic
Power Factor (PF):	>0.95
Input Driver:	terminal
Output of Driver:	DC 15-50V, 250–700mA
CC/CV:	CC
Output Current Adjustable:	✓
Switching Cycles:	>100.000
Compatible with Emergency Current:	✓
Ambient Temperature (TA):	-25°C - 50°C

Dimensions:	97x43x30 mm
IP Class:	20
Housing Color	white
Housing Material:	Polycarbonat
Net Weight:	93 g
Type of Packaging:	box
Content Master Package:	10
Warranty	5 years
Operating Hours:	100.000 h
Disposal Obligation:	✓
Customs Tariff Number:	8504408390
Certifications	CE,ENEC,SELV
Barcode:	9006210526096
Connection:	Terminal
Ausgangsstromanpassung über Widerstandsplug	

Information and Downloads:

