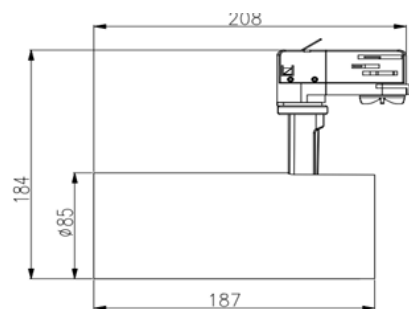


Lareda MKII 30-940-3150LM WH



Technical Details:

Luminous Flux:	3150 lm
LED Output:	28 W
Light Yield:	105 lm/W
Light Temperature:	4000 K
Light Color:	neutralwhite
Color Rendering Index:	≥90 Ra
Color Consistency (SDCM):	<4
Beam Angle:	36 °
Swappable Reflector:	✓
Unified Glare Rating (UGR):	<17
Light Emission:	
LED-Chip Manufacturer:	Bridgelux
LED-Chip:	COB
Number of LED:	1
Ignition Time:	<0,5 s
Input Current:	AC 220 - 240V, 50/60Hz
Power Consumption:	30 W
Contains Driver:	✓
Driver Manufacturer:	Osram
Power Factor (PF):	>0.97
Input Driver:	lighting track
Output of Driver:	DC 30-42V, 500-700mA
CC/CV:	CC
Output Current Adjustable:	✓
Input Lamp:	Power rail
Switching Cycles:	>100.000
Electrical Protection Class:	II
Ambient Temperature (TA):	0°C - 35°C

Dimensions:	208x85x184 mm
Mounting:	ceiling,wall
Montageart:	surface mounted
Pivot Range pan:	350 °
Pivot Range tilt:	90 °
IP Class:	20
Housing Color	white
Housing Material:	aluminum
Coating:	powder-coated
Special Feature of Housing:	3-Phase Track Adapter
Cover:	Lens
Net Weight:	978 g
Type of Packaging:	box
Dimensions of Packaging:	90*90*295
Weight incl. Packaging:	1.038 kg
Content Master Package:	12
Dimensions of Master Package:	385x290x320 mm
Weight Master Package:	12,74 kg
Product Line:	Advance Line
Warranty	3 years
Operating Hours:	35.000 h L80/B10
Disposal Obligation:	✓
Customs Tariff Number:	9405499090
Certifications	CE,LM80,D
Barcode:	4250557812748
perfekte Blendungsbegrenzung	
für Wohnraum, Museum, Shop oder Deko	
max. 25 Spots auf einer 16A Sicherung	
Treiber einstellbar.: 500, 600, 650, 700mA 21-30W	

Information and Downloads:

