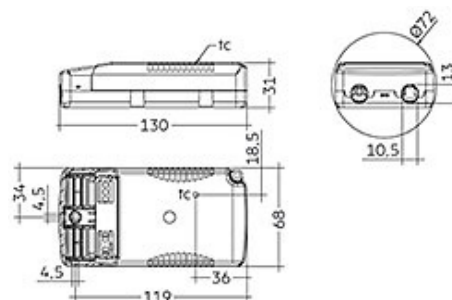


Tridonic TALEXXconverter LCA 44 Watt dimmbar



Technical Details:

Dimmable:	✓
Method of Dimming:	"Triac Phasen-/abschnitt"
Power Consumption:	44 W
Driver Manufacturer:	Tridonic
Power Factor (PF):	>0.95
Input Driver:	terminal
Output of Driver:	DC 18-44V, 700/1050mA
CC/CV:	CC
Output Current Adjustable:	✓
Switching Cycles:	>50.000
Electrical Protection Class:	II
Ambient Temperature (TA):	-20°C - 40°C
Storage Temperature:	-40°C - 60°C

Montageart:	surface mounted
IP Class:	20
Housing Color	white
Housing Material:	Polycarbonat
Special Feature of Housing:	integrierte Anschlußdose
Net Weight:	175 g
Type of Packaging:	box
Weight incl. Packaging:	0.175 kg
Content Master Package:	10
Product Line:	Advance Line
Warranty	5 years
Operating Hours:	50.000 h
Disposal Obligation:	✓
Customs Tariff Number:	8504408390
Certifications	CE,ENEC,SELV,D

Information and Downloads:

